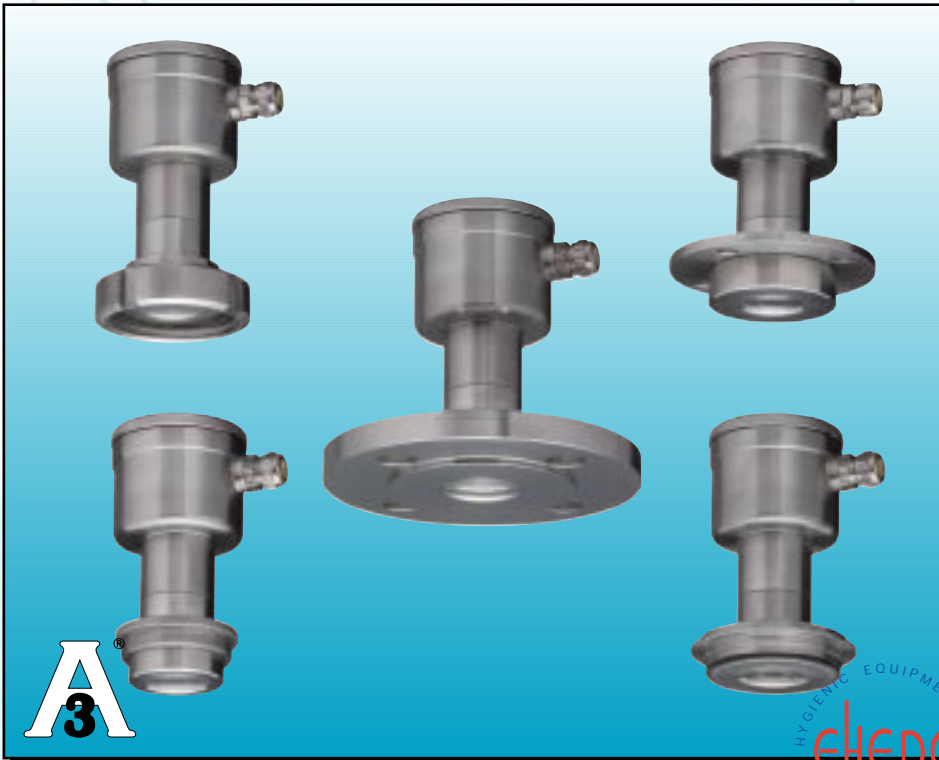




PRESSURE AND LEVEL TRANSMITTERS "ALL STAINLESS"



SERIES 8000-SAN

- OUTPUT 4-20 mA / 2-WIRE
- ZERO AND SPAN ADJUSTABLE
- ALL FORMS OF HYGIENIC/SANITARY CONNECTIONS AVAILABLE
- VERY STRONG FLUSH MOUNTING DIAPHRAGM
- LARGE RANGEABILITY
- INTEGRAL 3½ DIGIT L.C.D. INDICATOR (OPTION)
- TRULY NON-INTERACTIVE ZERO AND SPAN
- INTRINSICALLY SAFE EEx ia IIC T4

A
3

EUROPEAN HYGIENIC EQUIPMENT DESIGN GROUP
ehedg

DESCRIPTION

The Series 8000-SAN are solid state pressure and level transmitters based upon a piezo resistive sensor and a strong flush mounted diaphragm. The transmitters are fully temperature compensated. The Series 8000-SAN units are especially designed to be non-clogging and capable of being cleaned in-place. They fully meet the needs of the food and beverage, chemical and pharmaceutical industries. In order to be fully compatible with the process they are monitoring, the Series 8000-SAN units offer a wide range of process connections and a choice of materials from which the wetted parts are fabricated. All versions enjoy Cenelec approval for Intrinsically Safe applications.



8000-SAN with sanitary weld-on nipple diam. 85 mm

Made by:

KLAY-INSTRUMENTS B.V.

Nijverheidsweg 5 7991 CZ DWINGELOO
P.O. Box 13 7990 AA DWINGELOO
Tel. +31-521-591550 Fax +31-521-592046

The Netherlands
E-mail: info@klay.nl
Website: www.klay.nl

Our representative in your area is:

SPECIFICATIONS

Measuring ranges	: 0,08 bar to 50 bar
Output signal	: 4-20 mA, 2-wire
Overall accuracy	: 0,2% of adjusted span
Power supply	: 13 to 40 VDC (Exi: 17-28 VDC)
Electrical connection	: PG9 / 1/2" NPT
External load (max.)	: 550 Ohm/24 V to 1250 Ohm/40 V
Process temperature	: -20°C to +100°C (140°C/45mins.) (8000-SAN-cable -20°C to +140°C)
Temperature sensitivity	: +/- 0,015%/K
Ambient temperature	: -20°C to +70°C
Adjustment	: Zero and span internally
Process connections	: See pages 2 and 3
Wetted parts	: AISI 316 (standard) other materials may be specified
Electronics housing	: AISI 304 (standard) other materials may be specified
Vacuum ranges available	(see ordercode)

Specifications can change without notice



Model 8000-SAN-Cable with separate electronics

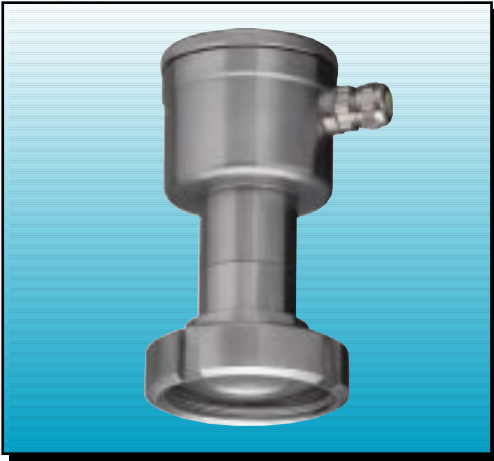
Description 8000-SAN-Cable

This version has been developed for applications where space does not allow easy adjustment of a standard model and for applications with a process temperature above 95°C continuously with a max. temperature of 140°C. The Pressure Sensor and Transmitting electronics are physically separate but are joined by an interconnecting cable. The zero and span can easily be set at a convenient mounting area while the actual sensor is measuring at the desired point. The standard cable length is 3 m. (Specify cable length in order code.)

ORDERINGCODE

Order code basic transmitter			SERIES 8000-SAN				
Order code with cable			SERIES 8000-SAN-Cable (. . . m)				
measuring range bar	max. overpressure bar	adjustable span-range bar min. - max.					
0 - 0,08 ...0,4	6,4	0 - 0,08 / 0 - 0,4	B				
0 - 0,4 ...0,7	6,4	0 - 0,4 / 0 - 0,7	C				
0 - 0,7 ...1,5	10,5	0 - 0,7 / 0 - 1,5	D				
0 - 1 ...4	16	0 - 1 / 0 - 4	E				
0 - 2,5 ...10	30	0 - 2,5 / 0 - 10	F				
0 - 7,5 ...16	60	0 - 7,5 / 0 - 16	G				
0 - 16 ...50	120	0 - 16 / 0 - 50	H				
PROCESS CONNECTIONS:							
- Milkcoupling DIN 11851, NW 25 (ranges E, F or G only), NW 40, NW 50 (all ranges)			M..				
- Hygienic weld-on nipple, diam. 85 mm (other diameters on request)			W..				
- Tri-clamp connection 1", 1 1/2" or 2" (please specify)			L..				
- Flange (AISI 316) DIN or ANSI, all sizes available (please specify size)			F				
- Other process connections i.e. SMS 2", IDF 2", 1 1/2", Varivent, etc. (specify)			X				
OPTIONS:							
- Digital local Indicator 3 1/2 digit, programmable (EEx i, not programmable)				I			
- Vacuum Ranges (Specify relative or absolute). Compound range available (example -1 / +1 bar)					V		
- Intrinsically safe: CENELEC EEx ia IIC T4						Ex	
- Special versions: Example: Special wetted parts; Hasteloy C or Ceramic Diaphragm.							G

OVERVIEW OF PROCESS CONNECTIONS SERIES 8000-SAN



CODE M (25, 40 OR 50) MILK COUPLING

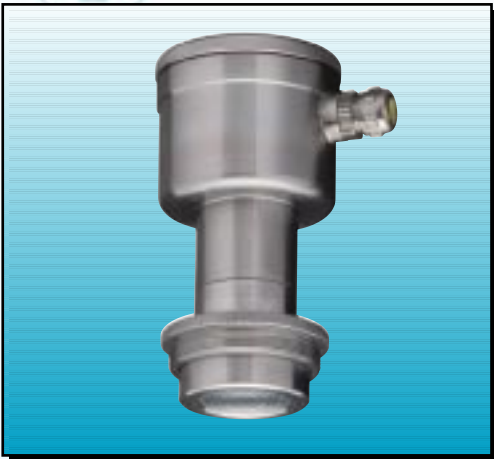
Series 8000-SAN-RANGE-M offers a choice of three dairy fittings in accordance with DIN 11851. The DN25 or 1" version has a very strong diaphragm developed specifically for pressure measurement in the food and pharmaceutical industries.

This model is available in pressure ranges from 0-1 bar (code E) to 0-16 bar (code G).

Higher pressure versions available on special request.

The DN40 or DN50 (1½" and 2") versions which can be used for level measurement are available from 0-0,08 bar (30" water column).

When ordering, always specify code letter and size. The matching weld-on nipple can also be ordered.

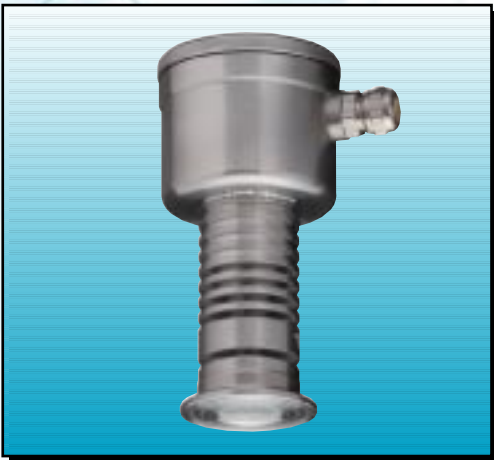


CODE W (85 mm) SANITARY WELD-ON NIPPLE

The best connection for level measurement. The nipple (diam. 85 mm) is welded directly into the tank and the Transmitter is connected to it by means of a locking. This results in the diaphragm being virtually flush with the tank wall.

The standard packing rings between the weld-on nipple and the transmitter are made of PTFE.

The standard flange size is diam. 85 mm. Other sizes can be made on request. Please indicate the required size when ordering.

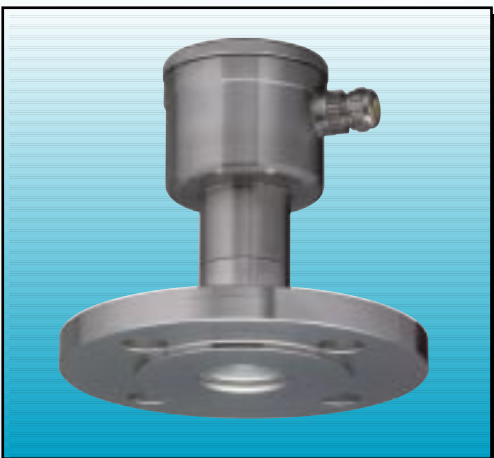


CODE L (1", 1½" OR 2") TRI-CLAMP

Several Tri-clamp connections are available for the food and pharmaceutical industries.

The 1" and 1½" versions are for pressure measurement only and are only available for units within the ranges 0-1 bar (Range E) to 0-16 bar (Range G).

For low pressure and level measurements, from 0-0,08 bar, the 2" tri-clamp connection is available. Please indicate the required size when ordering and do not forget the matching parts and clamp.



CODE F FLANGE CONNECTION

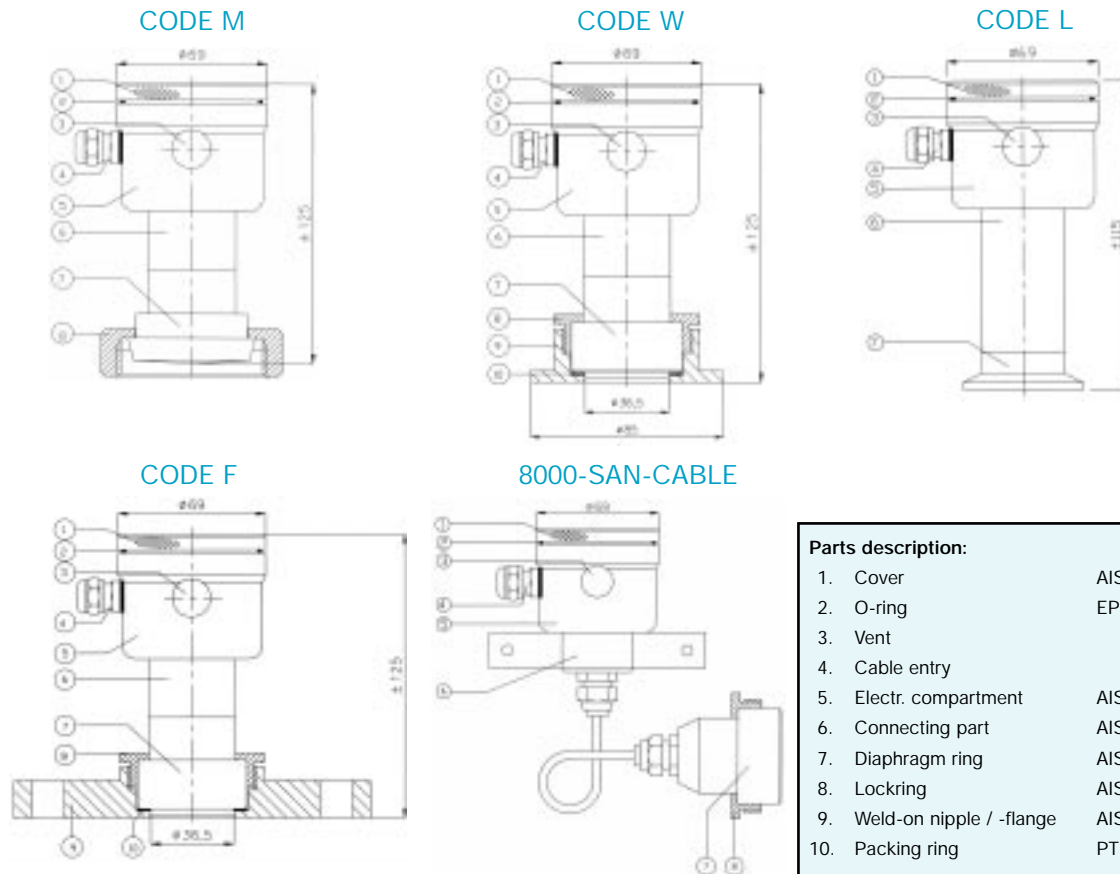
The flange fittings contain a weld-on nipple (as Code W) already welded into the flange. Therefore these models are easily interchangeable. All standard flanges are available, DIN (DN 40, 50 or 80) and ANSI (1½", 2" or 3").

Special versions at request.

Note: More than 30 different process connections are available, example: SMS 2", IDF 2", G 1 ½" or Varivent.

See code X at ordering code and specify process connection.

DIMENSIONS (mm)



Parts description:

1. Cover	AISI 304
2. O-ring	EPDM
3. Vent	
4. Cable entry	
5. Electr. compartment	AISI 304
6. Connecting part	AISI 304
7. Diaphragm ring	AISI 316
8. Lockring	AISI 304
9. Weld-on nipple / -flange	AISI 316
10. Packing ring	PTFE

GENERAL INFORMATION

Laser welded diaphragms

All transmitters from the 8000-SAN Series have a strong, flush mounted diaphragm. In order to provide proper sealing while retaining ease of cleaning, all diaphragms are laser welded. Normally AISI 316 L is used in the production of the diaphragms. Other materials such as Hastelloy C, Titanium or Ceramic can be supplied on request.

Temperature compensated seals

All Series 8000 units are fully temperature compensated. A temperature sensor, which monitors the process temperature, is mounted directly behind the diaphragm. The output of this sensor is used to compensate the electronic transmitter for temperature variations.

RFI/EMC and CE

Klay Instruments manufactures all pressure and level transmitters according to the new European RFI/EMC and CE rules. All transmitters are equipped with RFI filters as standard.



Compact electronics in a Stainless Steel Housing

The electronic transmitters from Klay Instruments contain a minimum number of electronic components. The signal conditioning is performed by a single integrated circuit which provides a very linear output. The electronics are fully encapsulated and are therefore unaffected by vibrations and moisture.

Intrinsically safe certificate

All transmitters from the 8000-SAN Series can be executed with the Intrinsically safe certificate, according to CENELEC, EEx ia IIC T4.



3-A Sanitary Standards / EHDEG

Most of the transmitters from the 8000-SAN Series are manufactured according to the 3-A Sanitary Standards for liquid pressure and level sensing devices formulated by the IAMFES, US PHS and DIC, and according to the European Hygienic Equipment Design Group (EHEDG).



KLAY-INSTRUMENTS B.V.

Nijverheidsweg 5
P.O. Box 13
Tel. +31-521-591550
Fax +31-521-592046

7991 CZ DWINGELOO
7990 AA DWINGELOO
The Netherlands
E-mail: info@klay.nl

APPLICATIONS

Level measurement:

The 8000-SAN Series can be used for all kinds of level measurement on storage tanks in the food, dairy (milk storage tanks), beverage, pharmaceutical, chemical and paper industry.

Various process connections can be used, like a DIN milk-coupling, tri-clamp or a DIN/ANSI flange.

For sanitary applications we advise to use our sanitary weld-on nipple (diam. 62 mm or 85 mm) code W. (see page 3).



Level measurement on storage tanks

Pressure measurement:

The 8000-SAN Series can also be used as a pressure transmitter. Applications are for example: protection of pumps and installations for under or over pressure.

Process connections are: DIN, SMS and IDF couplings and tri-clamps from 1" till 3".



Pressure transmitter on line

All our pressure transmitters from Series 8000-SAN have a flush mounted diaphragm. For applications on steam, water, gasses and vapours, our ceramic pressure transmitter 'Peramic' with 1/2" BSP/NPT process connection can be used.

For information on the 'Peramic' see page 6.

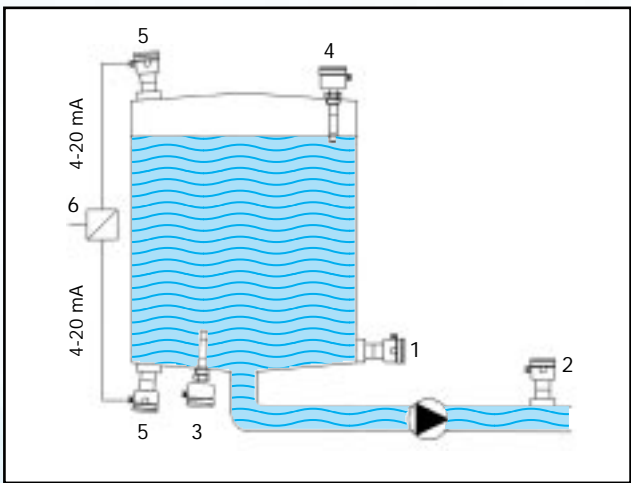


Leveltransmitters on CIP tanks

Level control:

A lot of tank levels must be automatically controlled. For example the CIP (Cleaning In Place) tanks in the food, dairy and beverage need level transmitters to measure and control the level (continuously).

For this application the same process connections can be used as described for storage tanks, like DN 40 milkcoupling, 2" tri-clamp or sanitary weld-on nipple diam. 85 mm (code W85).



APPLICATION EXAMPLES

1. Level transmitter, 8000-SAN Series
2. Pressure transmitter, 8000-SAN Series
3. Low level switch, type FLX
4. High level switch, type FLX
5. Pressure/level transmitters, for level measurement on pressurized tanks (diff. pressure). (Example: Breweries). Use 2 transmitters, calibrated at the same span, the 2 output signals (4-20 mA) will be subtracted in calculator (6) or PLC.



Factory Klay Instruments B.V. at Dwingeloo, The Netherlands

KLAY INSTRUMENTS B.V.

Klay Instruments B.V. is a Dutch manufacturer of electronic pressure and level transmitters, 'intelligent' transmitters with HART® protocol and pressure and level switches. We are developing and manufacturing all our instruments at our factory in Dwingeloo, The Netherlands.

Klay Instruments has a worldwide service and distribution network.

OTHER INSTRUMENTATION FROM KLAY

"INTELLIGENT" PRESSURE/LEVEL TRANSMITTERS

The Klay series 2000 are a complete range of microprocessor based pressure and level transmitters with local display and adjustment by three pushbuttons. Zero and span can be adjusted without test pressure. The display can be used during programming to assist the operation. An engineering unit can be chosen and also the process temperature can be shown on the display. Also a damping (0-25 sec) and a current simulation (4-20 mA) can be performed. Over 40 different process connections are available including many flush diaphragm designs. The series 2000 are also available with the HART® protocol. A detailed brochure is available.



PRESSURE TRANSMITTER "PERAMIC"

The "Peramic" is an "All Stainless" pressure transmitter based on a ceramic pressure cell that can withstand high overpressures. The "Peramic" can be used for all gauge and absolute pressure measurements on steam, liquids, gasses and vapours. The available process connections are G 1/2" (1/2" BSP) or 1/2" NPT. Zero and span are internally adjustable over wide ranges. Ranges are available from 0 - 0.1 bar to 0 - 350 bar. The Peramic is also available in an "Intelligent" version, Peramic "S" (series CER-2000) including the HART® protocol. Detailed brochures of both versions are available.



LEVEL SWITCHES FOR LIQUIDS

These compact "All Stainless" liquid Level Switches can be used in nearly all liquids. The "Vibra-Switch" is based on a vibrating probe with two diaphragm-coupled rods and acts as a single resonator. The type "FLX" is used for limit level switching in conductive liquids.

Both versions are available in various "hygienic" process connections, like 1" BSP, tri-clamp, milkcoupling or flange. A detailed brochure is available.



 **KLAY-INSTRUMENTS B.V.**

Nijverheidsweg 5
P.O. Box 13
Tel. +31-521-591550
Fax +31-521-592046

7991 CZ DWINGELOO
7990 AA DWINGELOO
The Netherlands
E-mail: info@klay.nl