



Constant flow regulator 2914  
equipped with VL flow meter

## Model 2914

Kytola® model 2914 constant flow regulator is designed to provide constant flow of medium volume liquid flows in applications where supply or backpressure varies.

The regulator is a membrane type differential pressure controller with a built-in needle valve for flowrate adjustment.

### FEATURES

- Reliable operation
- Stainless steel construction
- Two piece construction, easy maintenance
- Competitively priced

### TYPICAL APPLICATIONS

- Control of seal water
- Control of flush water
- Water purging
- Level measurement in tanks

### OPTIONS

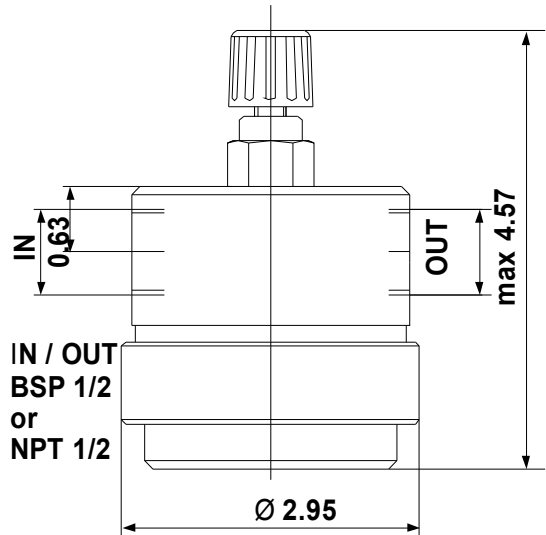
- High  $\Delta p$  model
- Flowmeter to indicate flowrate
- Thread adapters



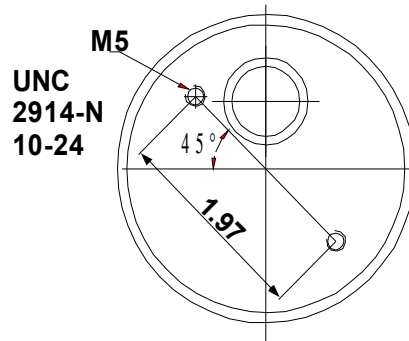
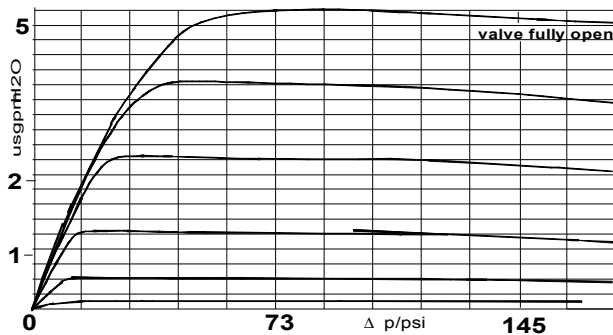
**Model 2914**

Max Flow	5.3 USG/min H <sub>2</sub> O
Nominal Flow	3.7 USG/min H <sub>2</sub> O
Max. diff. pressure	174 psi (290 psi with version D)
Max. static pressure	363 psi
Pressure drop @ nominal flow	44 psi
Max. temperature	194 °F (Momentary 248°F)
Body	AISI 316
Valve	AISI 316
Spring	AISI 316
Membrane	EPDM
Seals	Nitrile
Connections	BSP ½" or NPT ½"
Installation position	Any required
Weight	4 lbs

2914	-	-	/		
					<b>Differential pressure</b>
					Max 174 psi
				D	Max 290 psi
					<b>Valve size</b>
		6			6 mm valve for flowrates 2.6 USG/min or below
		9			9 mm valve for flowrates above 2.6 USG/min
					<b>Connections</b>
				N	BSP ½"
					NPT ½"
					<b>Options</b>
					Without adapter
				VL	With adapter for connecting to model VL flowmeter



**PERFORMANCE**



(inch)