



Constant flow regulator 3630 equipped with LH flow meter

Model 3630

The model 3630 constant flow regulator is designed to provide a constant flow of liquids in applications where supply or backpressure varies and to provide a constant flow of gases in applications where backpressure varies.

The model 3630 is a membrane type differential pressure controller and is supplied with model L variable area flow meter for flow rate indication and setting.

FEATURES

- Reliable operation
- Aluminium and Stainless steel construction
- Easy maintenance
- Competitively priced
- Model L flowmeter for flowrate setting and monitoring

TYPICAL APPLICATIONS

- Water purging for instruments
- Air purging in level measurements
- Gas purging in Δp measurements

ACCESSORIES

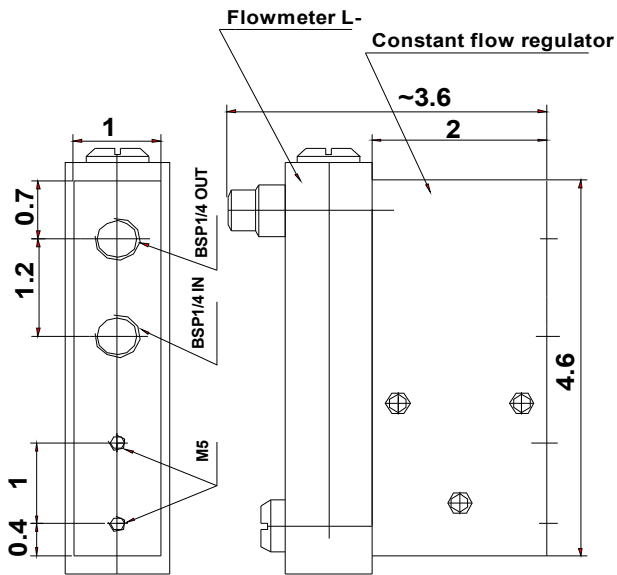
- Flow alarm
- Thread adapters



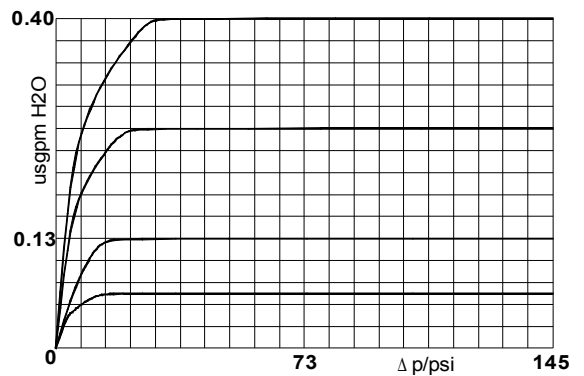
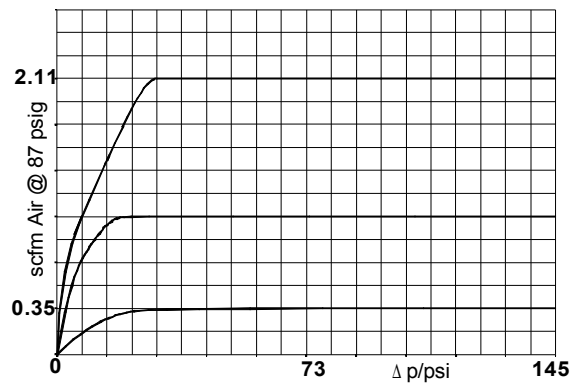
Model 3630

Max Flow	0.40 USG/min H ₂ O (2.1 SCF/min Air @ 87 psig)
Max. diff. pressure	145 psi
Max. static pressure	290 psi
Pressure drop at maximum flow	29 psi
Max. temperature	167 °F *(176 °F)
Body	Aluminium or AISI 316
Spring	AISI 316
Membrane	EPDM
Plate	Nylon (PA 6) *(PVDF)
Seals	Nitrile *(Viton, EPDM)
Mesh	PTFE
Connections	BSP 1/4" or NPT 1/4"
Installation position	Vertically
Weight	1.1 lbs (Aluminium body) or 2.4 lbs (AISI 316 body)

3630	<input type="checkbox"/>	-	<input type="checkbox"/>
	A	Body material	
	H	Aluminium	
		AINSI 316	
		Connections	
		BSP 1/4"	
		N NPT 1/4"	



PERFORMANCE



(inch)

2004-08-13



1000 de La Gauchetière West, Suite 2400
 Montreal, Quebec, H3B 4W5 • CANADA
 Tel. +1 514 4482171 • Fax +1 514 4485151
 email: info@kytola.ca • www.kytola.ca