

Kytola

INSTRUMENTS



Model K & KE



Model KL



Model KD

Model K

Kytola® model K variable area flow meter is intended for measuring and monitoring medium range flows of liquids and gases.

FEATURES

- Sturdy construction with protected flow tube
- Model K and KD with built-in flow adjustment valve
- Large selection of materials
- KEA, KEH & KEK includes a Kytola exclusive special Quick Change flowtube option for easy servicing.

TYPICAL APPLICATIONS

- Sealing water measurements for vacuum pumps
- Lubrication oil measurements
- Gas flow measurements
- Flush water applications

OPTIONS

- Scale for alternative liquids and gases
- PES flow tube
- Viton® or EPDM seals
- Quick change flow tube
- Low and/or high flow alarm
- Back light



Model KL	KLA	KLH	KLK
End blocks	Aluminum	AISI 316	Nylon
Weight	4.2 lbs (1.9 kg)	6.8 lbs (3.1 kg)	3.1 lbs (1.4 kg)
Max. pressure	440 psi (30 bar)	440 psi (30 bar)	290 psi (20 bar)
Max. temperature	175°F (80°C) (248°F / 120°C)*		
Accuracy	±5% F.S. (H ₂ O @ 70°F / 20°C)		
Flow tube	Grilamid (PES)*		
Side plates	AISI 316		
Float	AISI 329		
Seals	Nitrile (Viton®, EPDM)*		
Connections	BSP 1" or NPT 1"		

*special construction on request

KL	<input type="text"/>	-	<input type="text"/>	-	<input type="text"/>
A					
H					
K					

End block material

Aluminum
AISI 316
Nylon

H₂O flow range Air flow range

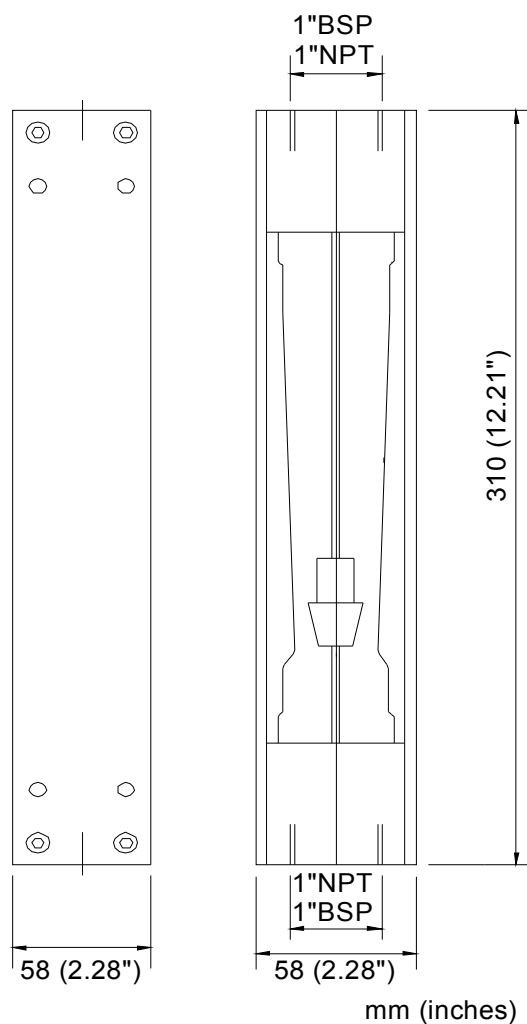
	USG/min	l/min	SCF/min	NI/min
4A	2 - 11	7.5 - 40	7.5 - 45	200 - 1200
4B	2 - 15	7.5 - 55	10 - 60	200 - 1500
4C	2 - 17	10 - 65	10 - 65	300 - 1800
4D	4 - 22	10 - 85	10 - 85	400 - 2200
4E	2.5 - 27.5	10 - 120	20 - 120	400 - 3000
4F	-	10 - 130	-	400 - 2800

Scale label

A H₂O scale l/min (20°C)
G H₂O scale USG/min (70°F)
D Relative scale 1-10
R Air scale NI/min (20°C, 101.3 kPa)
T Air scale SCF/min (70°F, 14.7 psia)

Special feature

D Alarm readiness
N NPT connections
V PES flow tube
W PES flow tube and Viton® seals
X Viton® seals



1000 de La Gauchetiere West, Suite 2400
Montreal, Quebec, H3B 4W5 • CANADA
Phone: (514) 448-2171 • Fax (514) 448-5151
email: info@kytola.ca • www.kytola.ca



Model KD	KDA	KDH	KDK
End blocks	Aluminum	AISI 316	Nylon
Valve housing	Aluminum	AISI 316	AISI 316
Weight	4.2 lbs (1.9 kg)	6.8 lbs (3.1 kg)	3.1 lbs (1.4 kg)
Max. pressure	440 psi (30 bar)	440 psi (30 bar)	290 psi (20 bar)
Max. temperature	175°F (80°C) (248°F / 120°C)*		
Accuracy	±5% F.S. (H ₂ O @ 70°F / 20°C)		
Flow tube	Grilamid (PES)*		
Side plates	AISI 316		
Valve spindle	AISI 316		
Float	AISI 329		
Seals	Nitrile (Viton®, EPDM)*		
Connections	BSP 1" or NPT 1"		

*special construction on request

KD - - -

End block material

A	Aluminum
H	AISI 316
K	Nylon

Air flow range

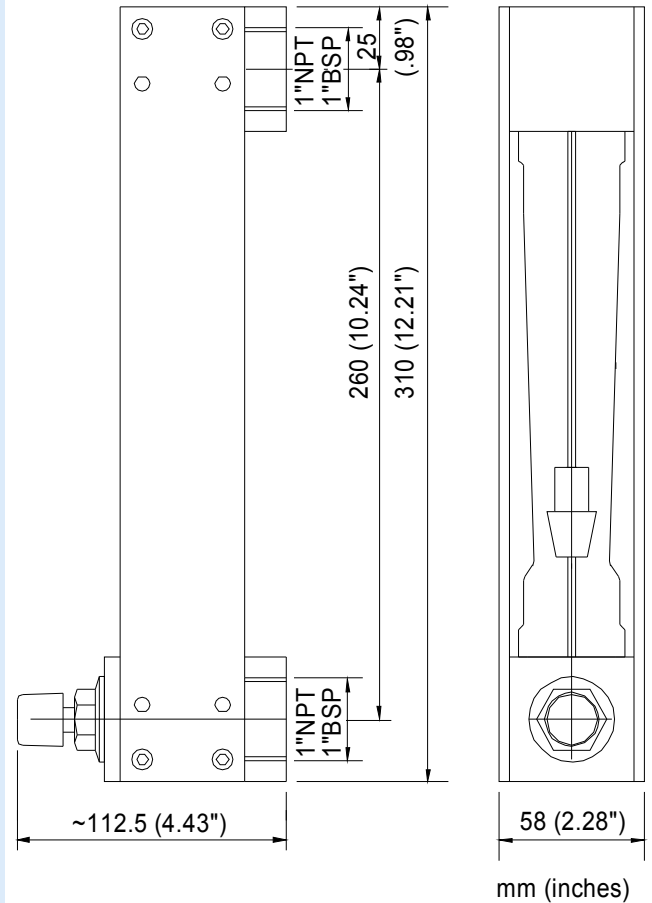
	SCF/min	NI/min
4A	7.5 - 47.5	200 - 1200
4B	10 - 65	200 - 1700
4C	10 - 75	300 - 2000
4D	10 - 95	400 - 2600
4E	20 - 120	400 - 3000

Scale label

D	Relative scale 1-10
R	Air scale NI/min (20°C, 101.3 kPa)
T	Air scale SCF/min (70°F, 14.7 psia)

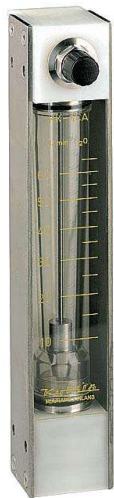
Special feature

D	Alarm readiness
N	NPT connections
V	PES flow tube
W	PES flow tube and Viton® seals
X	Viton® seals



Kytola
INSTRUMENTS

1000 de La Gauchetiere West, Suite 2400
Montreal, Quebec, H3B 4W5 • CANADA
Phone: (514) 448-2171 • Fax (514) 448-5151
email: info@kytola.ca • www.kytola.ca



Model K	KA / KEA	KH / KEH	KK / KEK
End blocks	Aluminum	AISI 316	Nylon
Valve housing	Aluminum	AISI 316	AISI 316
Weight	4.2 lbs (1.9 kg)	6.8 lbs (3.1 kg)	3.1 lbs (1.4 kg)
Max. pressure	440 psi (30 bar)	440 psi (30 bar)	290 psi (20 bar)
Max. temperature	175°F (80°C) (248°F / 120°C)*		
Accuracy	±5% F.S. (H ₂ O @ 70°F / 20°C)		
Flow tube	Grilamid (PES)*		
Side plates	AISI 316		
Valve spindle	AISI 316		
Float	AISI 329		
Seals	Nitrile (Viton®, EPDM)*		
Connections	BSP 1" or NPT 1"		

*special construction on request

K - -

E Quick Change Tube Option

End block material

A	Aluminum
H	AISI 316
K	Nylon

H₂O flow range Air flow range

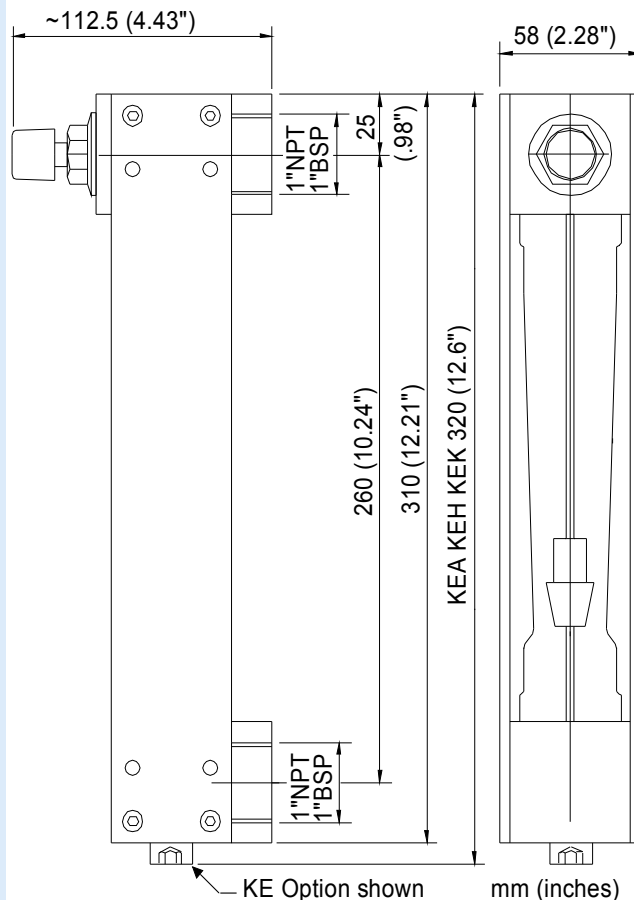
	USG/min	l/min	SCF/min	NI/min
4A	2 - 11	7.5 - 40	7.5 - 45	200 - 1200
4B	2 - 15	7.5 - 55	10 - 60	200 - 1600
4C	2 - 17	10 - 65	10 - 70	200 - 1800
4D	2 - 22	10 - 85	10 - 100	400 - 2600
4E	2.5 - 30	10 - 120	-	400 - 2800
4F	-	10 - 130	-	400 - 2400

Scale label

A	H ₂ O scale l/min (20°C)
G	H ₂ O scale USG/min (70°F)
D	Relative scale 1-10
R	Air scale NI/min (20°C, 101.3 kPa)
T	Air scale SCF/min (70°F, 14.7 psia)

Special feature

D	Alarm readiness
N	NPT connections
V	PES flow tube
W	PES flow tube and Viton® seals
X	Viton® seals



K_US 2005-02-15



1000 de La Gauchetiere West, Suite 2400
 Montreal, Quebec, H3B 4W5 • CANADA
 Phone: (514) 448-2171 • Fax (514) 448-5151
 email: info@kytola.ca • www.kytola.ca

Representative: