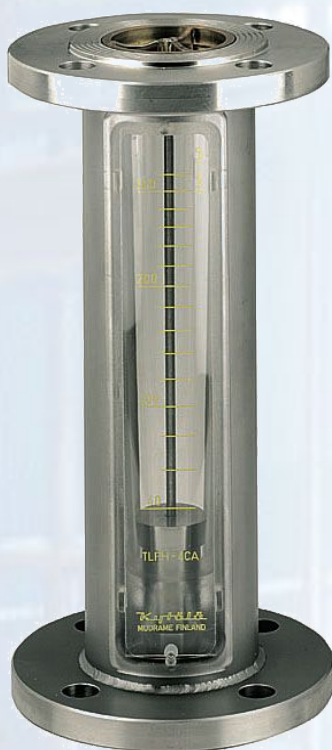




Model TL



Model TLFH

Model TL

Kytola® model TL variable area flow meter is designed for measuring and monitoring of large liquid and gas flows.

FEATURES

- Sturdy construction
- Protected flow tube
- Threaded or flanged connections

TYPICAL APPLICATIONS

- Sealing water measurement for vacuum pumps
- Lubrication oil measurement for gear boxes
- Flush water applications
- Gas flow measurements
- Power plants

OPTIONS

- Scale for alternative liquids and gases
- Low and/or high flow alarm
- PES flow tube
- Viton® or EPDM seals
- Back light



Model	TLA	TLH	TLFH
Connectors	Aluminum	AISI 316	AISI 316
Connections	BSP 2" / NPT 2"	BSP 2" / NPT 2"	DN 50 / ANSI 2"
Max. pressure	290 psi	290 psi	230 psi
Weight	7.3 lbs	9.9 lbs	14.6 lbs
Max. temperature	175°F (248°F)*		
Accuracy	±5% F.S. (H ₂ O @ 70°F)		
Body	AISI 316		
Flowtube	Grilamid (PES)*		
Float	AISI 329 (PTFE for flow range 4E)		
Seals	Nitrile (Viton®, EPDM)*		

*Special construction on request

TL - -

A
H
F
H

Connections, material

BSP 2", Aluminum
BSP 2", AISI 316

DN 50 flanges, AISI 316

H₂O flow range Air flow range

4E*	2 - 15 USG/min	15 - 70 SCF/min
4A	2.5-27.5 USG/min	20 - 120 SCF/min
4F	2.5 - 40 USG/min	20 - 160 SCF/min
4B	5 - 52.5 USG/min	20 - 220 SCF/min
4C	10 - 85 USG/min	40 - 380 SCF/min
4D	10 - 105 USG/min	50 - 450 SCF/min

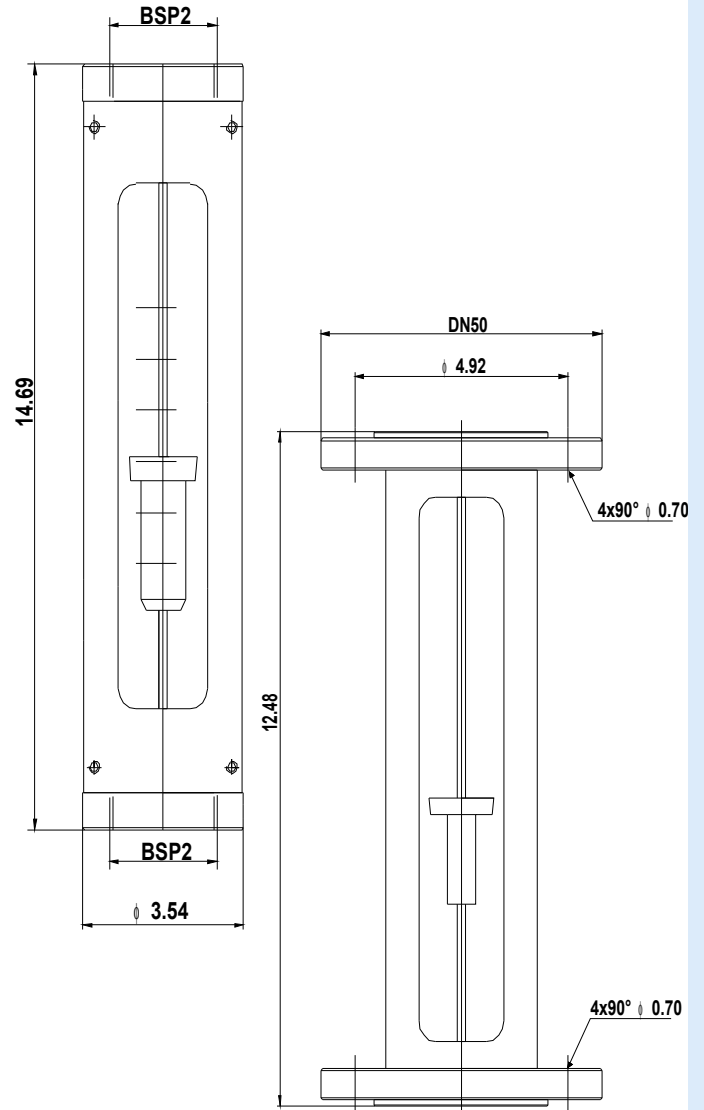
Scale labels

A	H ₂ O scale l/min
G	H ₂ O scale USG/min (70°F)
S	Air scale Nm ³ /min
T	Air scale SCF/min (70°F, 14.7 psia)

Options

D	Alarm readiness (holder required)
N	NPT or ANSI connections
V	PES flowtube
W	PES flowtube and Viton® seals
X	Viton® seals

*PTFE float, Flow alarm not available



(inch)

2004-10-02

Kytola
INSTRUMENTS

Tel. +1 514 4482171 • Fax +1 514 4485151
email: info@kytola.ca • www.kytola.ca