

LPP-T Tubing Pumps



Features:

- Durable housing of powder coated aluminum
- Patented tube leak detector system
- Discharge pressures up to 125 psig (8.6 bar)
- Outputs to 33.3 GPH
- Variable speed motor
- remote adjustment via 4-20mA, 0-10 VDC, or pulse
- remote start/stop feature
- Outputs include: 4-20mA, pulse, 4 alarm contacts
- No valves so no clogging
- Digital touchpad adjustment – Precise and reliable
- Self priming even at maximum line pressure
- Will never vapor lock or lose prime
- Available with flow verification flow sensor

Specifications:

Max. working pressure:	125 psig (8.6 bar)
Max. fluid temperature:	130° F (54° C)
Max. ambient temperature:	14° to 115° F / -10° to 46° C
Output adjustment range:	1-100% in 0.1% increments
Accuracy:	+/- 0.5% of flow
Repeatability:	+/- 0.5%
Duty cycle:	Continuous
Maximum viscosity:	5,000 Centipoise
Maximum suction lift:	30 ft. Water, 0 psig
Maximum Solids:	50% by volume

Display:	VGA backlit LCD, UV resistant
Display Languages:	English, German, Spanish, French
Touchpad:	Ten button positive tactile switch
Security:	Programmable 4-digit password
Voltage (max amp):	96-264VAC 50/60Hz (2 amp)
Plug Type:	125V AC, NEMA 5/15 (USA) 250V AC, NEMA 6/15 (USA) 250V AC, CEE 7/VII (EUROPE)
Enclosure:	NEMA 4X, (IP66)
shipping wt:	30 lb. (13.5 kg)

Materials of Construction:

Primary pump wetted components:

Pump Tube Assembly:

Tubing:	Norprene® or Tygothane®
Adapter fittings:	PVDF

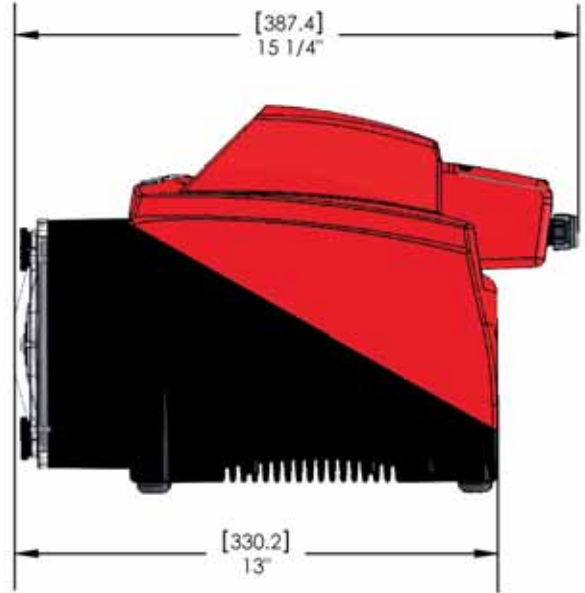
Accessories wetted components:

Suction Tubing:	Clear PVC
Suction Strainer:	Natural Polypropylene
Discharge Tubing:	Natural Polyethylene (LLDPE)
Injection fitting w/Check valve:	
Body & insert:	PVDF
Check Ball:	Ceramic
Spring:	Hastelloy C-276
Ball Seat O-ring:	TFE/P (optional EP)
Static Seal O-ring:	Viton® (optional EP)
Anti-scale valve:	Santoprene®

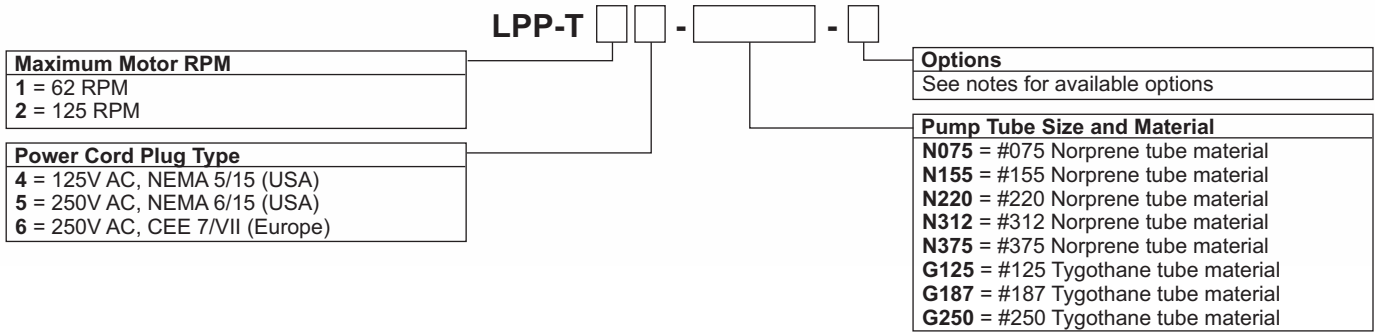
Non-Wetted components:

Pump Head:	Thermoplastic
Enclosure:	Powder coated aluminum
Pump Head Cover:	Clear Acrylic, annealed
Cover Screws:	300 SS, Polypropylene caps
Roller Assembly:	
Rotor:	Valox® (PBT)
Rollers:	Nylon, CNC Machined
Roller Bearings:	enclosed stainless steel ball bearing
Motor Shaft:	Chrome plated steel
Leak detector pins:	Hastelloy C-276
Power Cord:	3 conductor, SJTW-A Water-resist

Dimensions:



Model Number Matrix:



Maximum Flow rate and pressure capacities:

Tube number	Tubing Material	PSI (bar)	62 RPM MODELS		125 RPM MODELS	
			U.S. Gallons per Hour	Liters per Hour	U.S. Gallons per Hour	Liters per Hour
N075	Norprene	125 (8.6)	1.03	3.90	2.06	7.80
N155	Norprene	125 (8.6)	4.00	15.0	7.93	30.0
N220	Norprene	125 (8.6)	9.03	34.2	17.4	66.0
N312	Norprene	125 (8.6)	12.7	48.0	25.4	96.0
N375	Norprene	125 (8.6)	16.6	63.0	33.3	126
G125	Tygothane	65 (4.5)	2.40	9.00	4.60	17.4
G187	Tygothane	65 (4.5)	5.00	18.9	10.1	38.4
G250	Tygothane	65 (4.5)	12.0	45.6	24.9	94.2